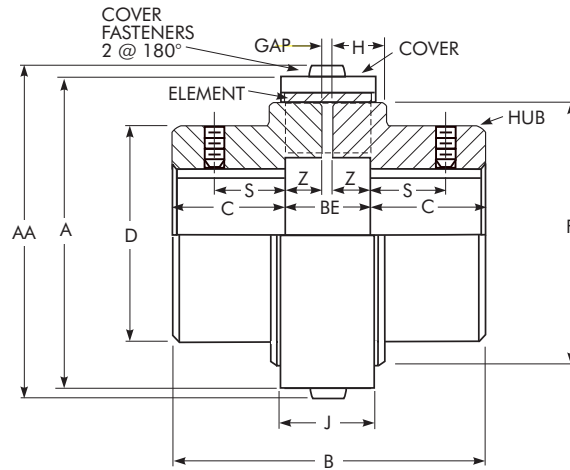


# Type R10

## Close Coupled Coupling/Dimensions — Millimeters



DIMENSIONS — MILLIMETERS †

| SIZE<br>★ | Torque<br>Rating<br>Nm | Allow<br>Speed<br>rpm | Max<br>Bore<br>† | Cplg Wt No<br>Bore - kg ‡ |                  | A              |                  | AA             |                  | B     | BE<br>■ | C     | D     | F     | H    | J    | S    | Z    | Gap<br>■ | Cover<br>Fasteners ♦ |                 |
|-----------|------------------------|-----------------------|------------------|---------------------------|------------------|----------------|------------------|----------------|------------------|-------|---------|-------|-------|-------|------|------|------|------|----------|----------------------|-----------------|
|           |                        |                       |                  | Nylon<br>Cover            | Steel<br>Cover ● | Nylon<br>Cover | Steel<br>Cover ● | Nylon<br>Cover | Steel<br>Cover ● |       |         |       |       |       |      |      |      |      |          | Size                 | Allen<br>Wrench |
|           |                        |                       |                  |                           |                  |                |                  |                |                  |       |         |       |       |       |      |      |      |      |          |                      |                 |
| 2R        | 11                     | 4,500                 | 22.00            | 0.365                     | 0.402            | 48.8           | 49.0             | 51.8           | 52.1             | 56.5  | 16.5    | 20.0  | ...   | 38.9  | ...  | 14.0 | 9.7  | 7.5  | 1.50     | M3                   | M2              |
| 3R        | 34                     | 4,500                 | 28.00            | 0.767                     | 0.823            | 61.0           | 61.0             | 64.0           | 64.0             | 68.5  | 18.5    | 25.0  | ...   | 50.9  | ...  | 16.0 | 12.2 | 8.5  | 1.50     | M3                   | M2              |
| 4R        | 56                     | 4,500                 | 35.00            | 1.17                      | 1.26             | 70.5           | 71.0             | 74.7           | 75.2             | 79.5  | 19.5    | 30.0  | ...   | 57.9  | ...  | 17.0 | 14.7 | 9.0  | 1.50     | M4                   | M2.5            |
| 5R        | 62                     | 4,500                 | 38.00            | 1.34                      | 1.48             | 76.5           | 76.5             | 80.5           | 80.5             | 85.0  | 20.0    | 26.0  | 60.0  | 64.0  | 15.0 | 23.0 | 15.9 | 9.0  | 2.00     | M4                   | M2.5            |
| 10R       | 130                    | 4,500                 | 48.00            | 2.48                      | 2.70             | 90.5           | 90.5             | 94.5           | 94.5             | 92.0  | 24.0    | 34.0  | 72.0  | 76.0  | 19.0 | 28.0 | 22.2 | 11.0 | 2.00     | M4                   | M2.5            |
| 20R       | 320                    | 4,500                 | 60.00            | 5.62                      | 6.07             | 126.0          | 124.0            | 132.1          | 130.1            | 122.0 | 32.0    | 45.0  | 92.0  | 102.0 | 25.0 | 37.1 | 25.4 | 15.0 | 2.00     | M6                   | M4              |
| 30R       | 520                    | 4,500                 | 65.00            | 9.37                      | 10.0             | 146.5          | 143.0            | 152.6          | 149.1            | 152.0 | 36.0    | 58.0  | 105.0 | 118.0 | 29.0 | 42.0 | 31.8 | 17.0 | 2.00     | M6                   | M4              |
| 40R       | 1,030                  | 3,600                 | 85.00            | 17.1                      | 18.1             | 182.4          | 177.0            | 190.0          | 185.0            | 181.0 | 47.0    | 67.0  | 130.0 | 150.0 | 34.0 | 54.5 | 41.3 | 21.0 | 5.00     | M8                   | M5              |
| 50R       | 2,500                  | 3,000                 | 105.00           | 35.7                      | 37.6             | 231.0          | 224.0            | 239.0          | 232.0            | 215.0 | 61.0    | 77.0  | 178.0 | 190.0 | 46.0 | 69.5 | 44.5 | 28.0 | 5.00     | M8                   | M5              |
| 60R       | 4,000                  | 2,500                 | 135.00           | ...                       | 66.2             | ...            | 267.0            | ...            | 278.0            | 275.4 | 75.4    | 100.0 | 209.6 | 228.0 | 60.2 | 67.0 | ...  | 35.2 | 5.00     | M10                  | M6              |
| 70R       | 8,000                  | 2,100                 | 160.00           | ...                       | 111              | ...            | 310.0            | ...            | 321.0            | 324.4 | 84.4    | 120.0 | 250.8 | 270.0 | 69.7 | 75.0 | ...  | 39.7 | 5.00     | M10                  | M6              |
| 80R       | 15,000                 | 1,800                 | 190.00           | ...                       | 165              | ...            | 370.0            | ...            | 381.0            | 376.8 | 96.8    | 140.0 | 270.0 | 328.0 | 83.4 | 85.0 | ...  | 45.4 | 6.00     | M10                  | M6              |

★ Wrapflex is a metric product. Metric to inch conversions may not be direct. Dimensions are for reference only and are subject to change without notice unless certified.

† AGMA Class 1 clearance fit bores are standard for Sizes 2R thru 50R, with two setscrews (one over keyway & one at 90°). Interference fit bores and no setscrews are standard for Sizes 60R thru 80R. Long hubs and interference fits are available and recommended when at or near maximum bore and: a) Number of start/stop cycles exceeds 10 per hour; or b) Application service factor = 2.0 or higher.

‡ Coupling assembly weight is based on "no bore" hubs. For coupling assembly weight and bored hubs, subtract the following value for each hub:  $(0.20)(\text{Bore})^2(C)$  lb. Bore in "mm".

● Nylon cover is standard on Sizes 2R thru 50R, with an epoxy-coated steel cover as an option. Epoxy-coated steel cover is standard on Sizes 60R thru 80R, with no option for nylon cover.

■ "BE" = Standard "Distance Between Shaft Ends" with hubs mounted flush to the shaft ends. "GAP" = Minimum allowable "Distance Between Shaft Ends". Any shaft end spacing between the "GAP" and "BE" dimensions is acceptable. However, if utilizing a shaft end spacing less than the "BE" dimension, the key should not extend beyond the hub face in order to prevent potential interference with the flex element.

♦ Cover fasteners are stainless steel, socket button head capscrews, per ISO 7380-A2. Two capscrews per coupling assembly.